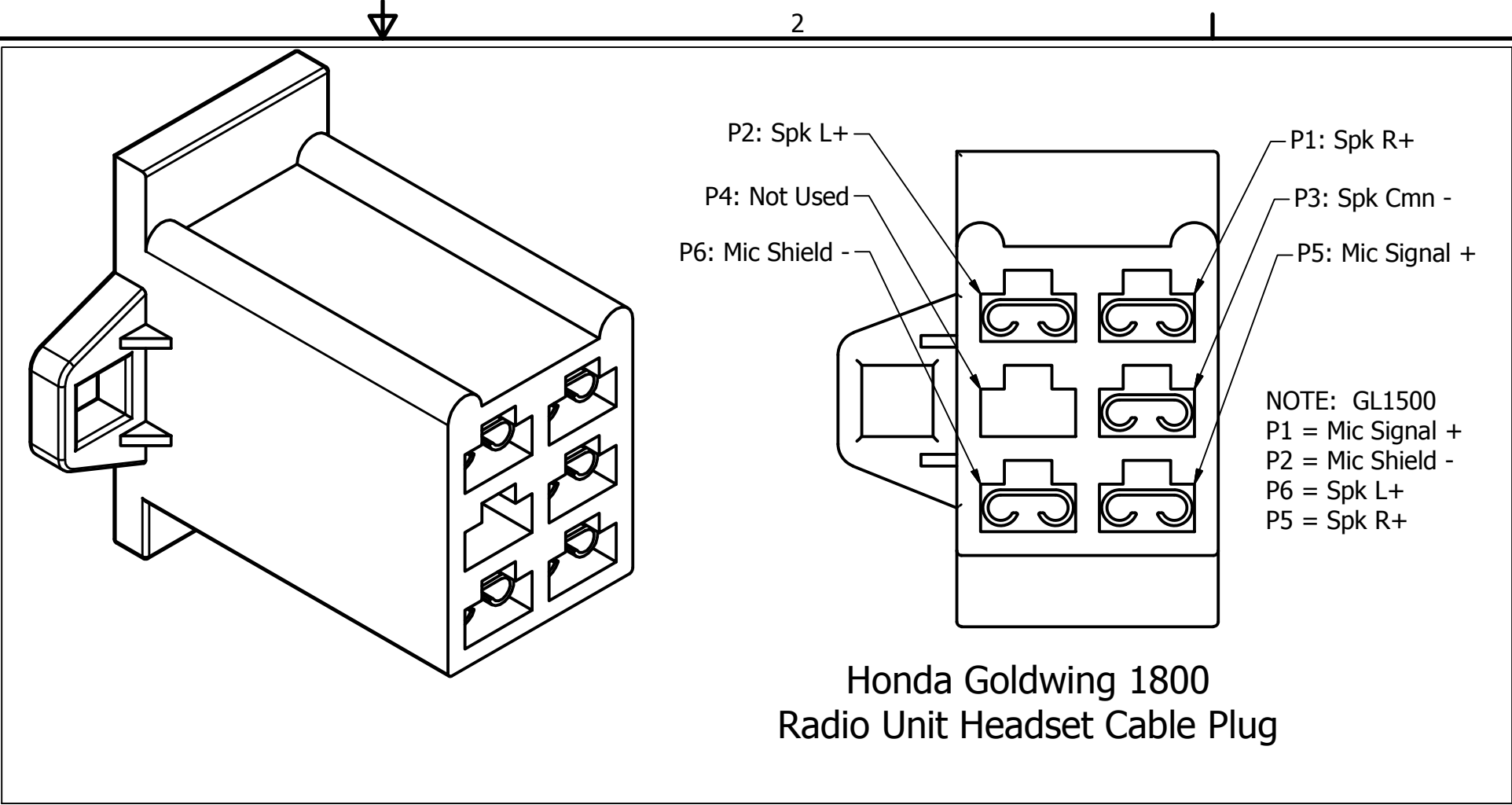
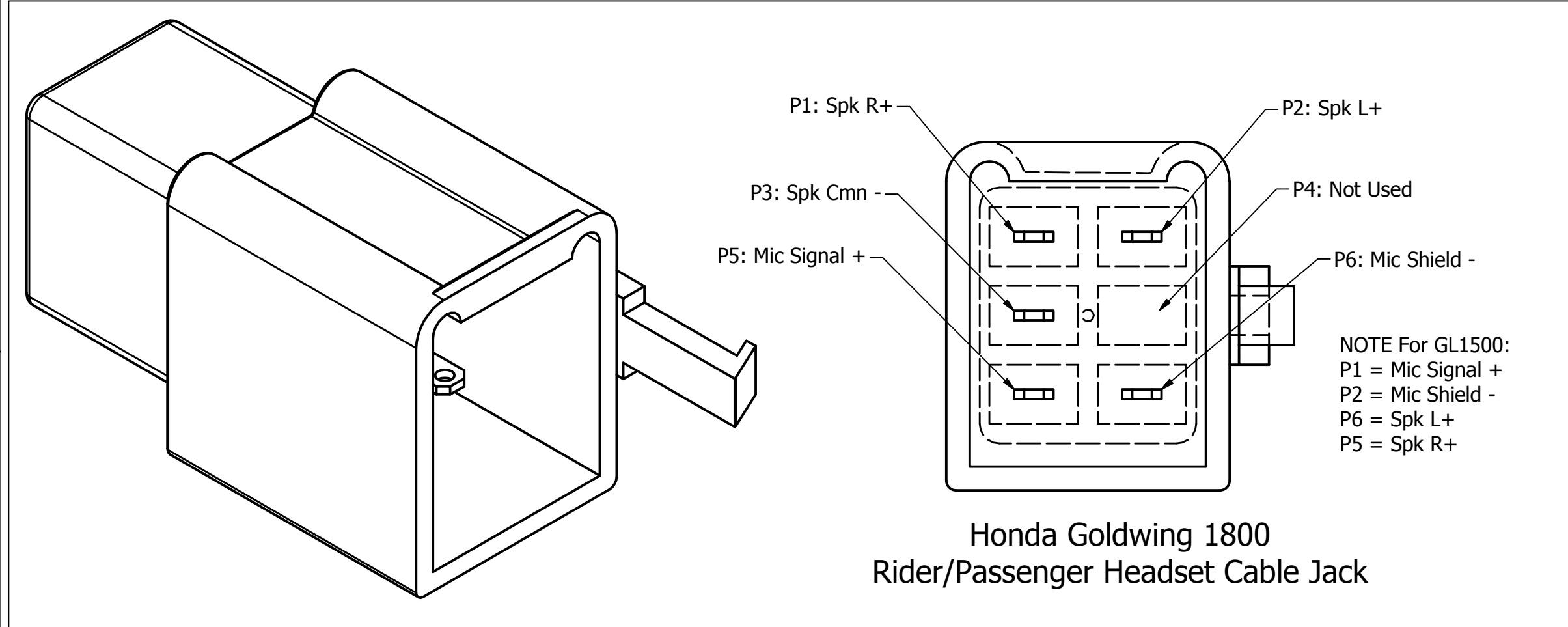


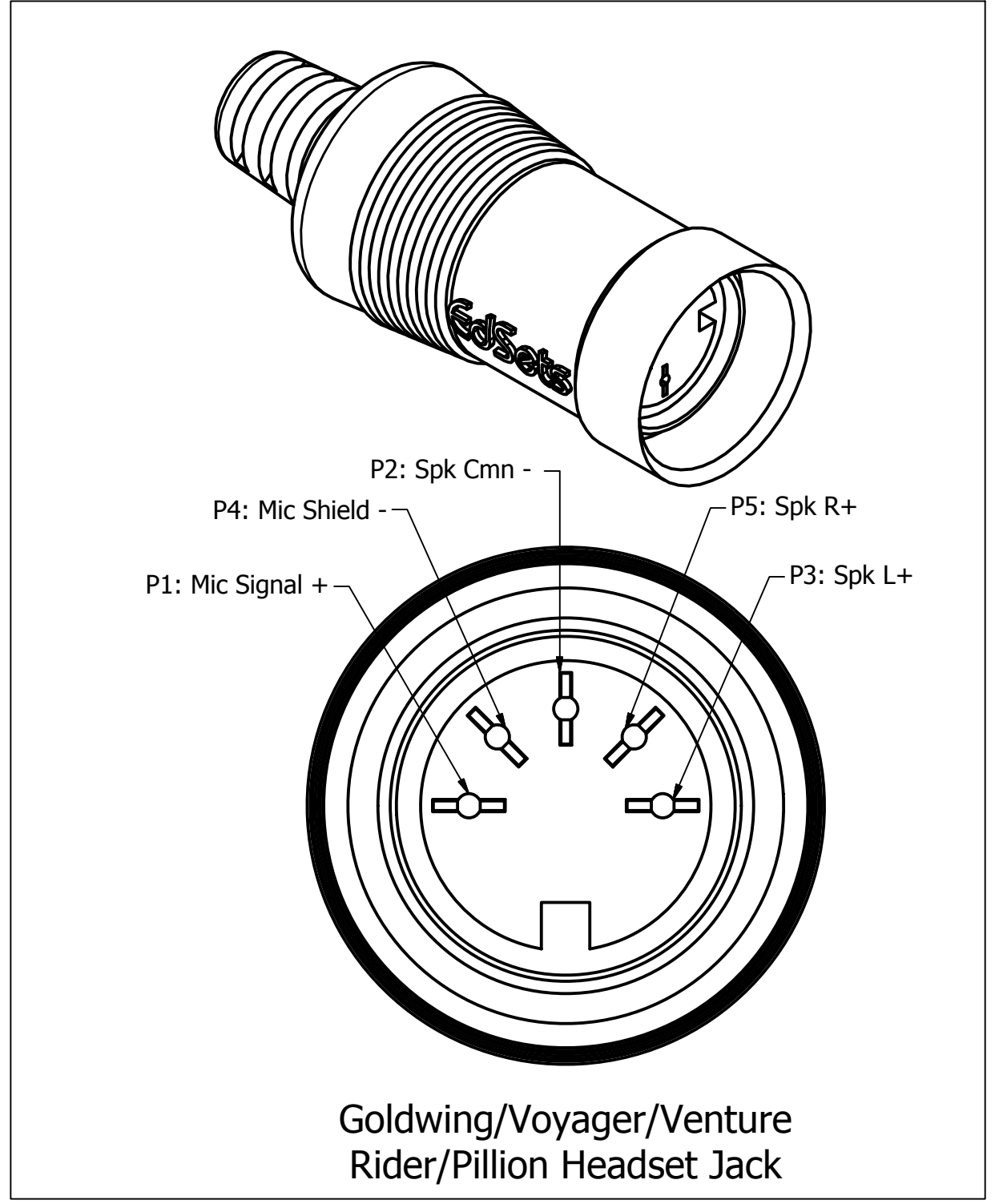
Honda Goldwing 1800  
Power Outlet, Left Pocket



Honda Goldwing 1800  
Radio Unit Headset Cable Plug



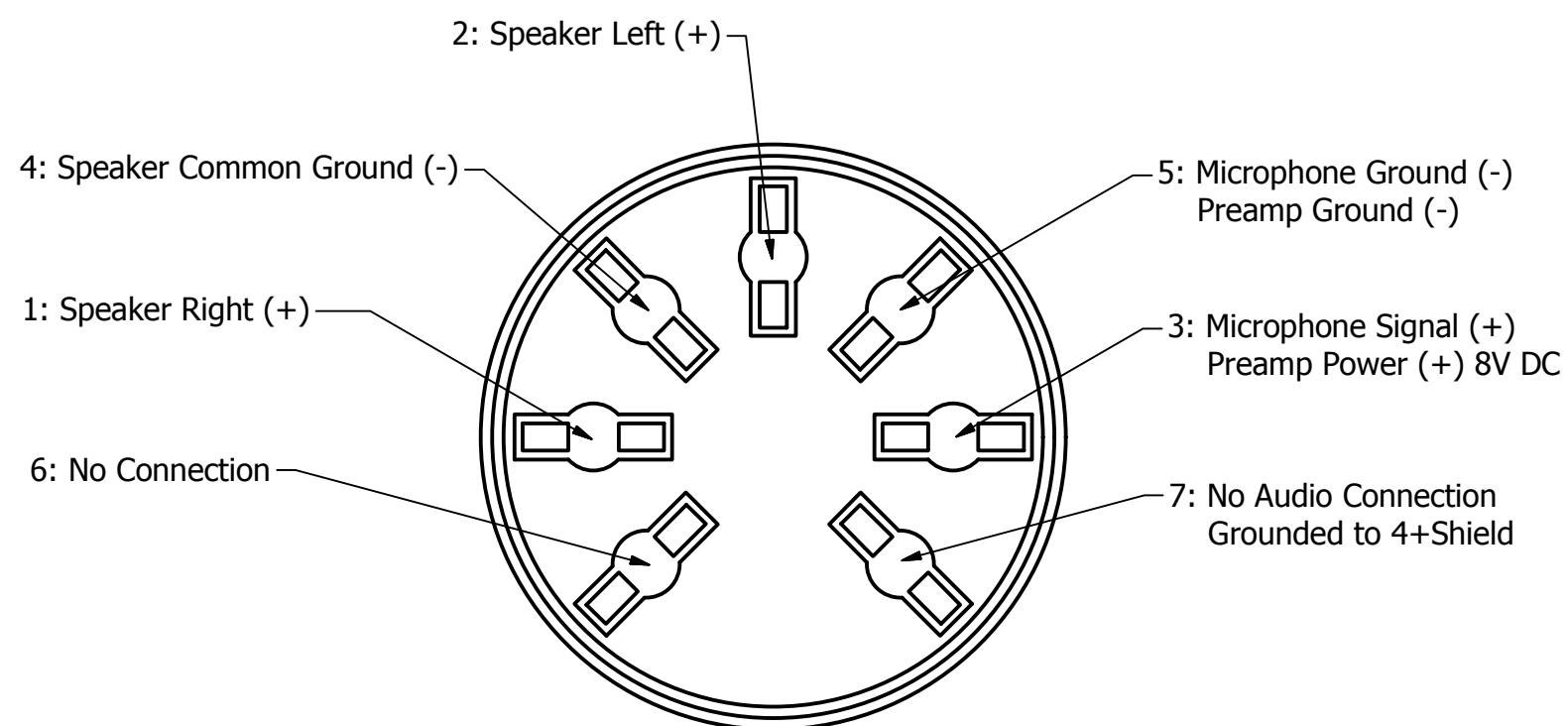
Honda Goldwing 1800  
Rider/Passenger Headset Cable Jack



Goldwing/Voyager/Venture  
Rider/Pillion Headset Jack

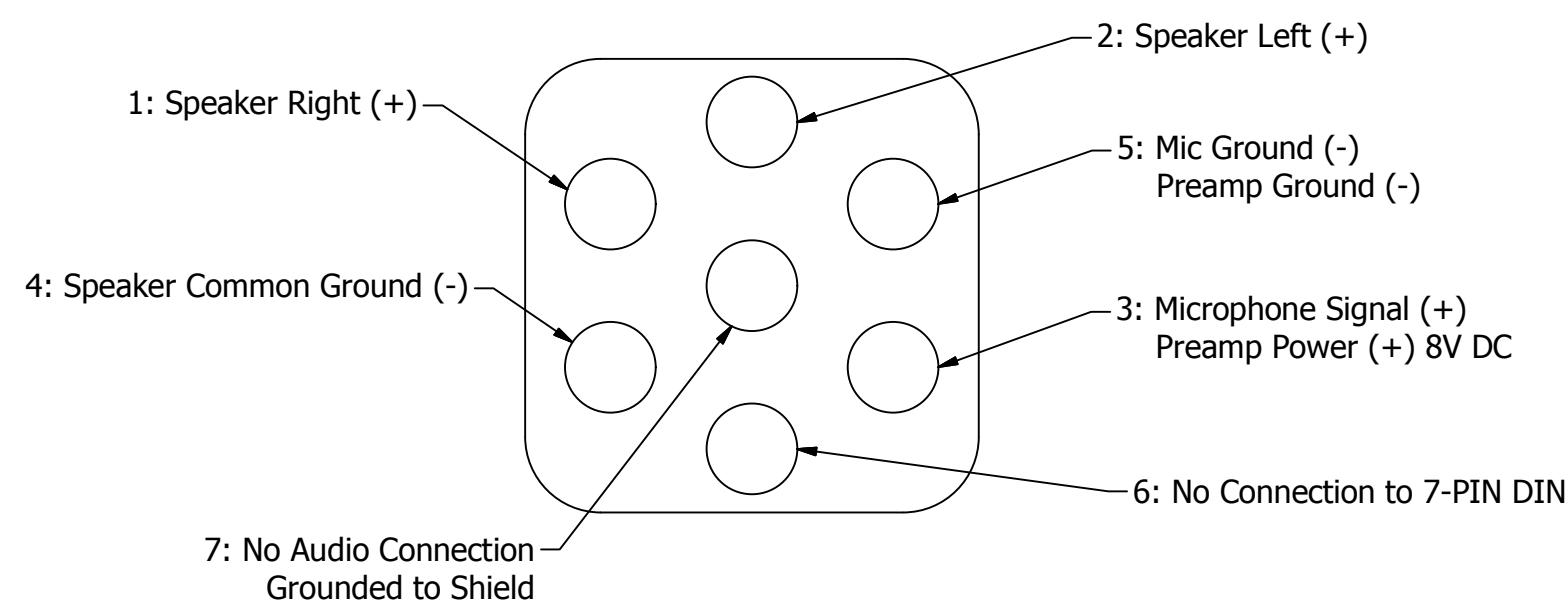
DRAWN Ed	3/3/2011	EdSets, LLC		
CHECKED		TITLE		
QA		Audio System Pinouts (EdSets Specific) Honda Goldwing		
MFG		SIZE C	DWG NO All Known Pinouts	REV
APPROVED		SCALE	SHEET 1 OF 9	

TABLE				
Column 1	Column 2	Column 3	Column 4	Column 5
Square Connector B	Factory Headset Jack	Factory Headset Jack	Function	Bike Harness Color
5	Red	5	Mic Bias/Power Ground (-)	Black
4	Orange	4	Speaker Common (-)	Shield
1	Black	1	Speaker Right (+)	Green
3	Yellow	3	Mic Signal/Power (+)	Red
2	Brown	2	Speaker Left (+)	White
6	Green: N/C	N/C	--	--
7		Ground to Shield	--	--



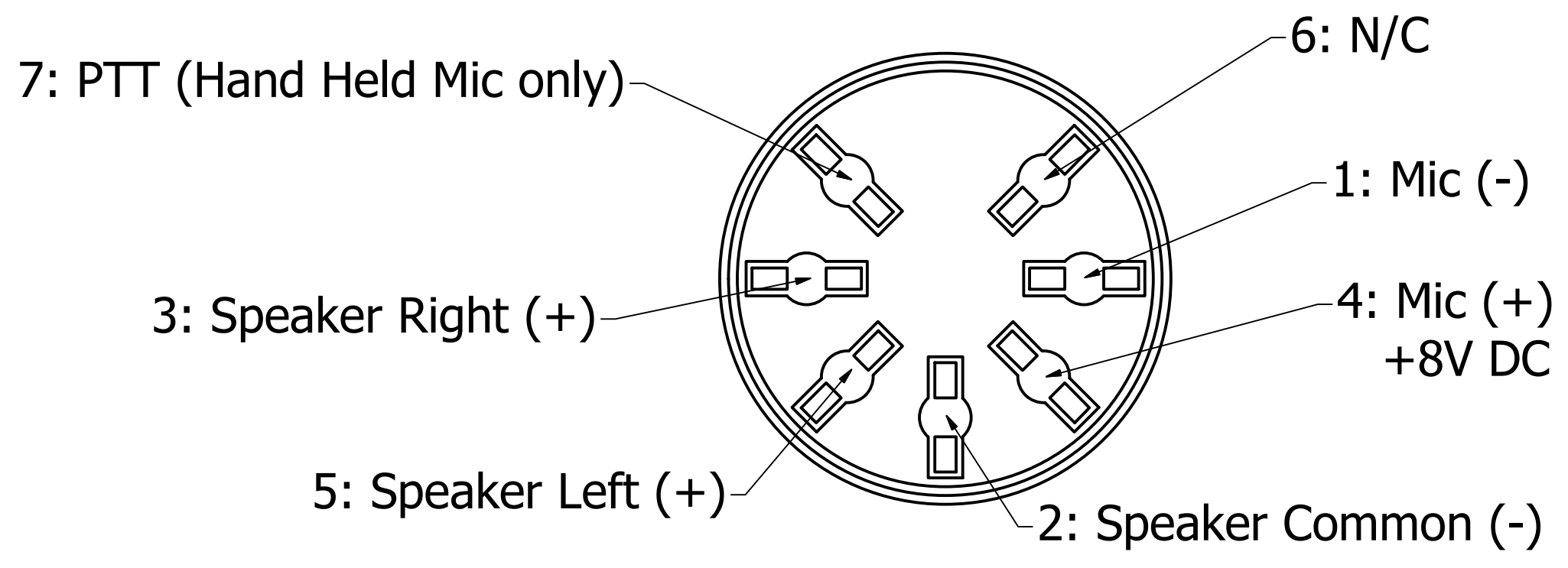
Factory Headset Jack  
7-Pin Female DIN

This 7-Pin DIN configuration on the bike is the same as Kawasaki Voyager 1700 and Can Am Spyder.

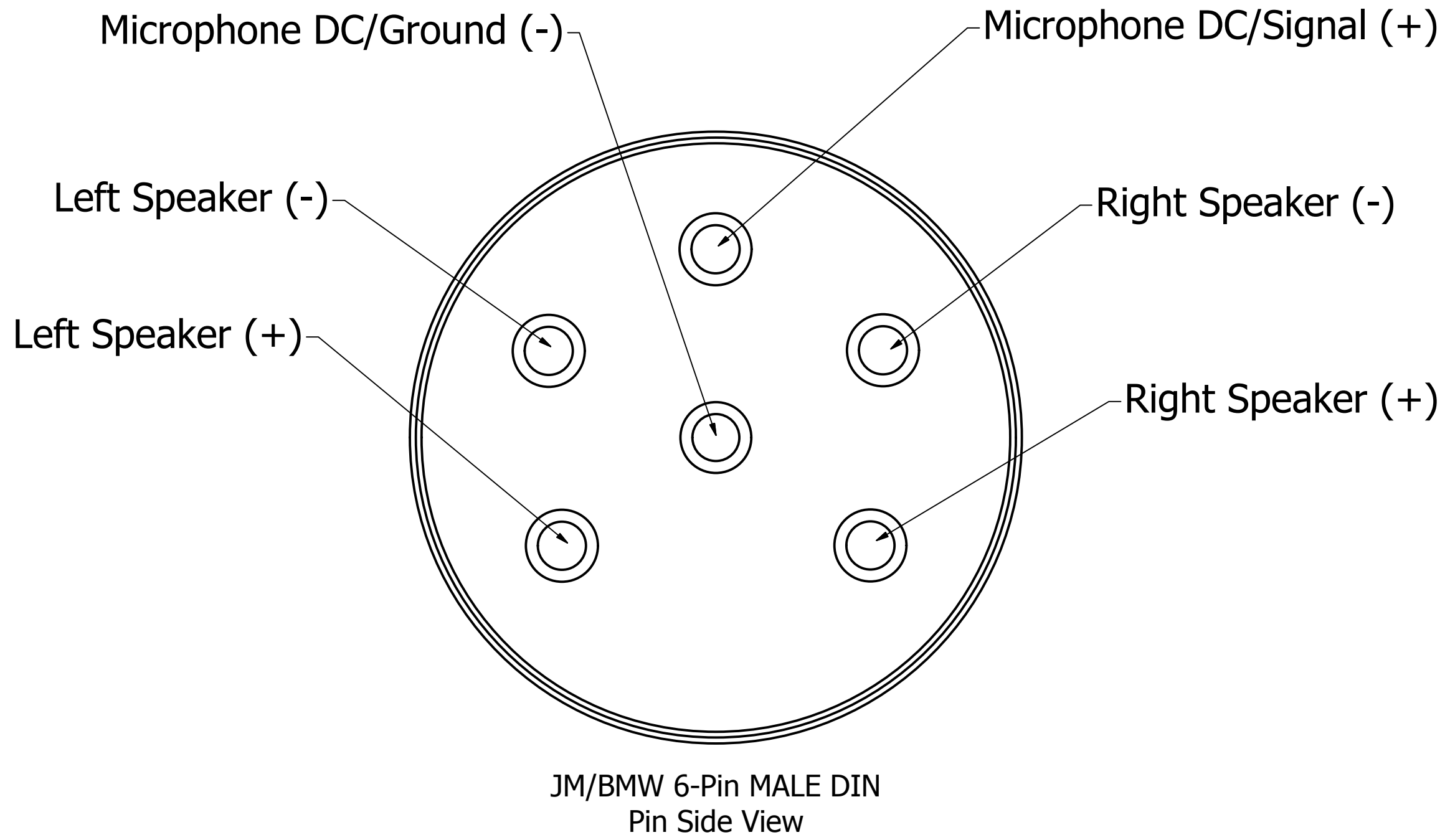


Harness connection on other end of factory 7-Pin DIN Female jack. Connects to bike harness.

DRAWN Ed	3/3/2011	EdSets, LLC		
CHECKED		TITLE		
QA		Audio System Pinouts (EdSets Specific) <b>Victory Vision 08+</b>		
MFG		SIZE C	DWG NO All Known Pinouts	REV
APPROVED		SCALE	SHEET 2 OF 9	



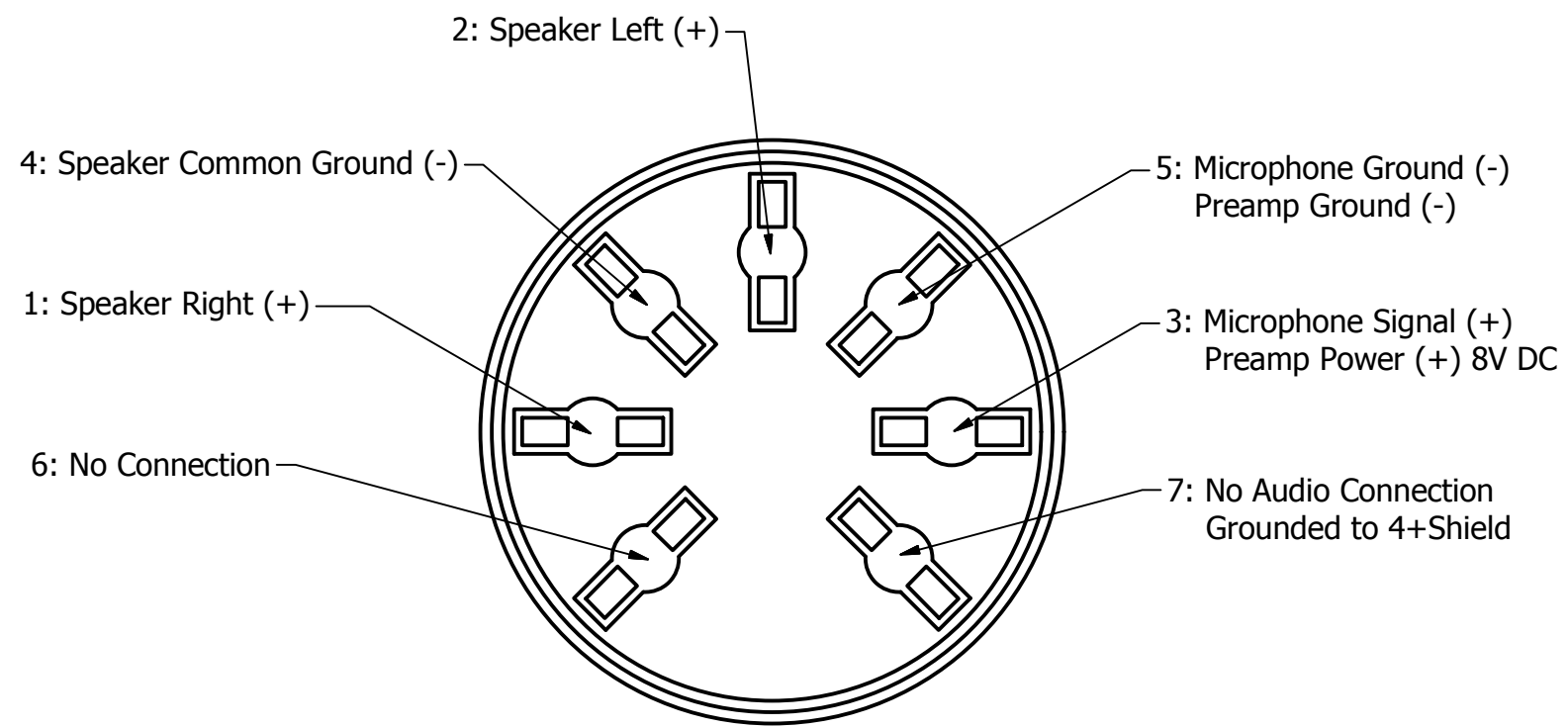
DRAWN Ed	3/3/2011	EdSets, LLC		
CHECKED		TITLE		
QA		Audio System Pinouts (EdSets Specific)		
MFG		Harley Ultra 2006+		
APPROVED		SIZE	DWG NO	REV
		C	All Known Pinouts	
		SCALE	SHEET 3 OF 9	



DRAWN Ed	3/3/2011	EdSets, LLC		
CHECKED		TITLE		
QA		Audio System Pinouts (EdSets Specific)		
MFG		SIZE C	DWG NO All Known Pinouts	REV
APPROVED		SCALE	SHEET 4 OF 9	

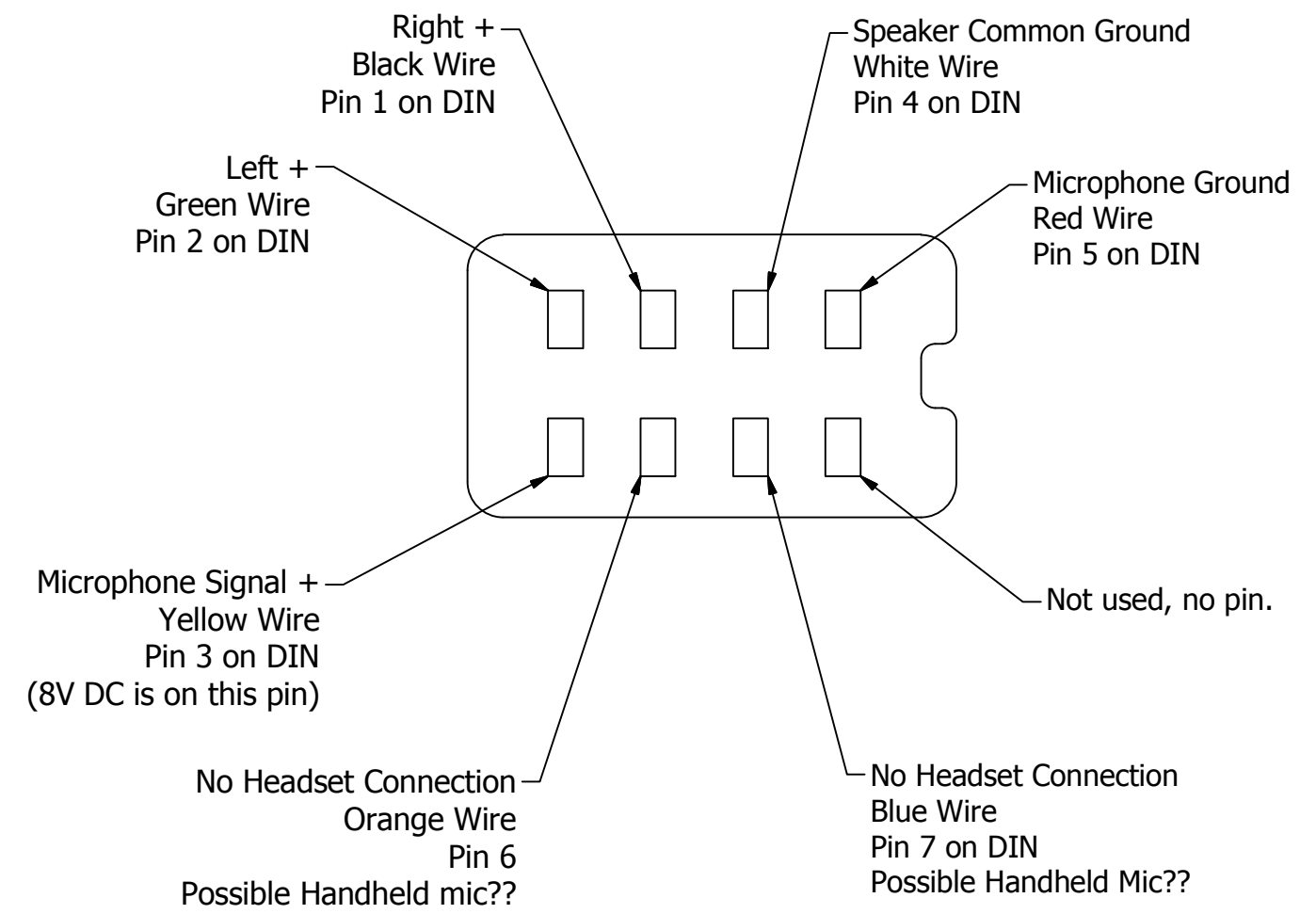
# Kawasaki Voyager 1700 with Radio Sound System

## Headset Cable: 7-Pin DIN and 8-Pin Sumitomo style connector for bike main harness.

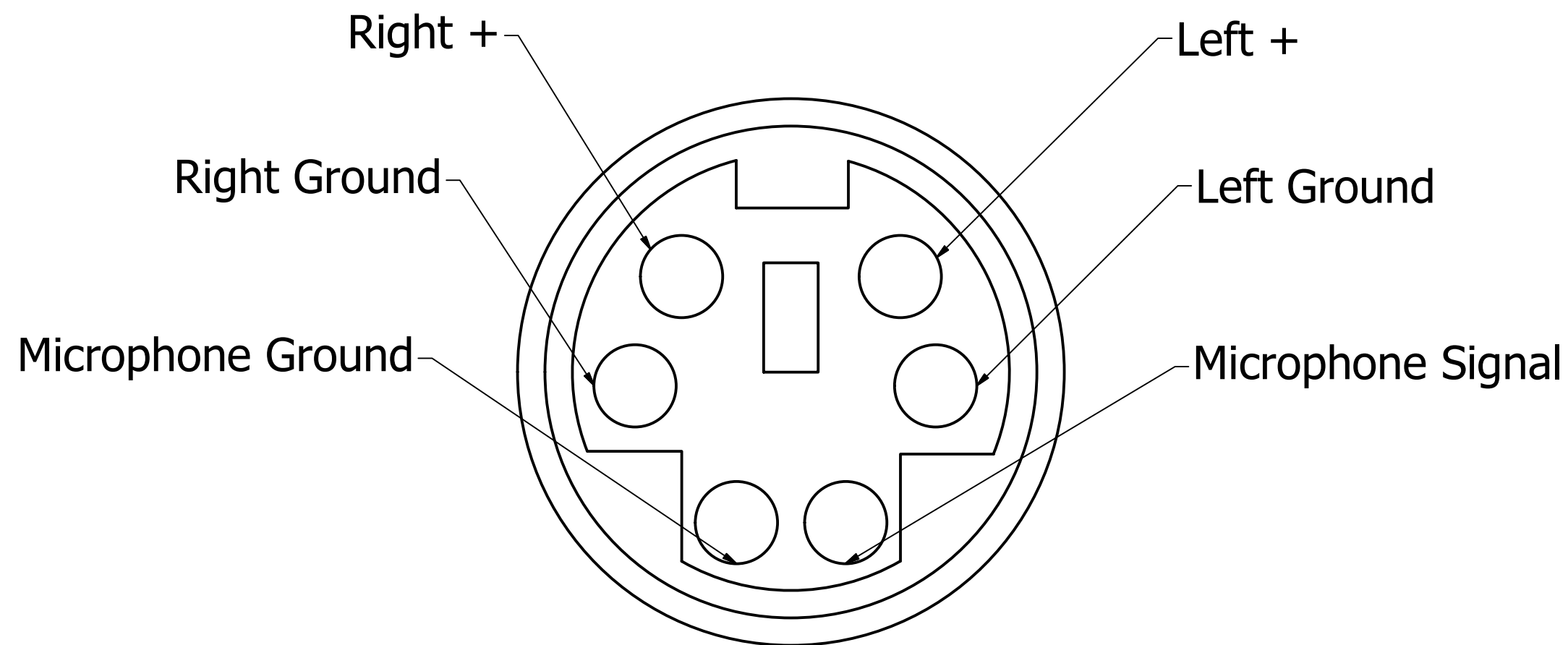


**Factory Headset Jack**  
7-Pin Female DIN  
Connected below seat left side, Rider and Pillion

### Front Side View of female jack that plugs into the bike main harness.



DRAWN	Ed	3/3/2011	EdSets, LLC		
CHECKED			TITLE		
QA			<b>Audio System Pinouts (EdSets Specific)</b>		
MFG			Kawasaki 1700 Voyager		
APPROVED			SIZE	DWG NO	REV
			C	<b>All Known Pinouts</b>	
			SCALE	SHEET 5 OF 9	



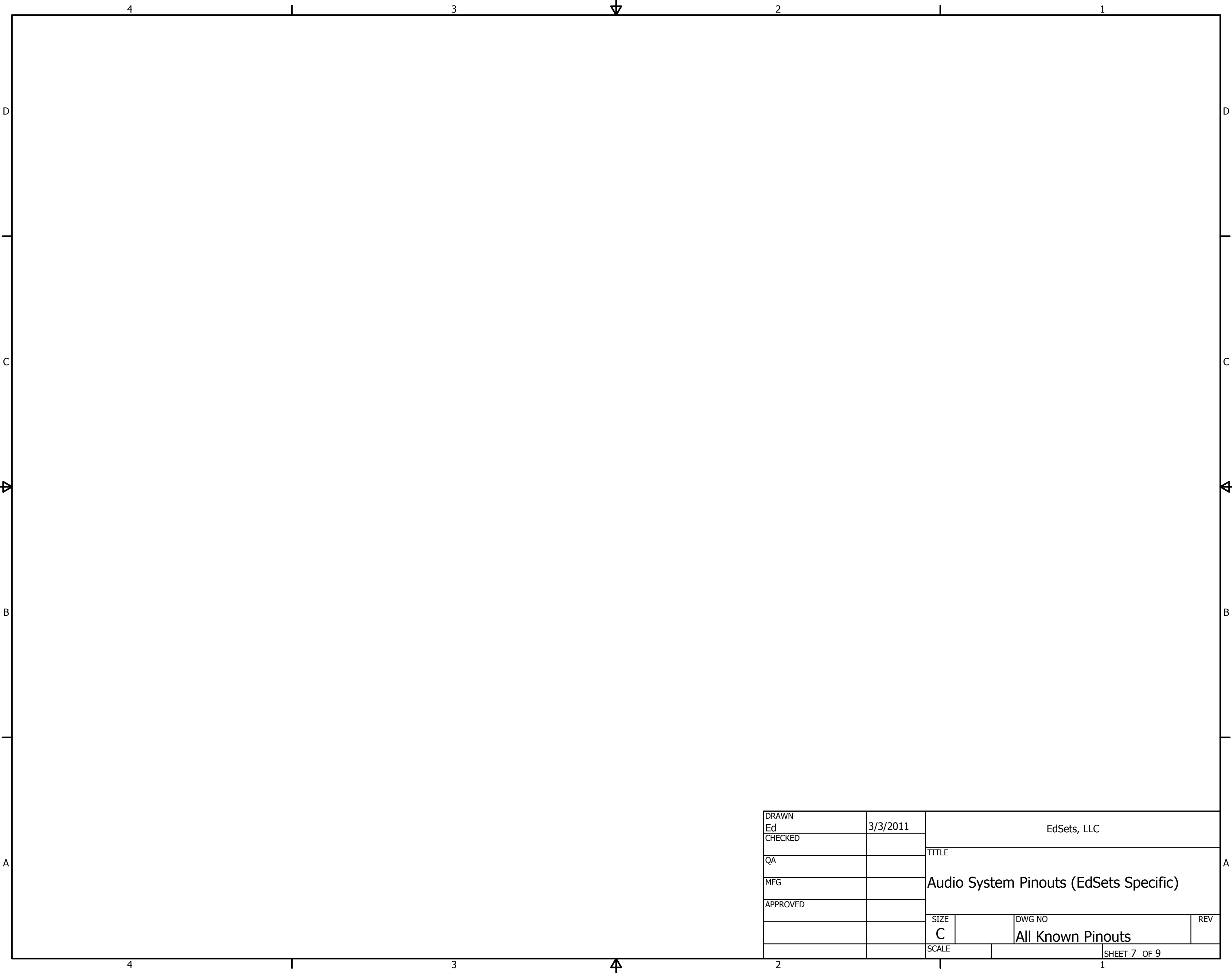
EdSets upper 3G female connector, lower coiled cable.  
SCALE 10:1

**EdSets SPECIFIC:**

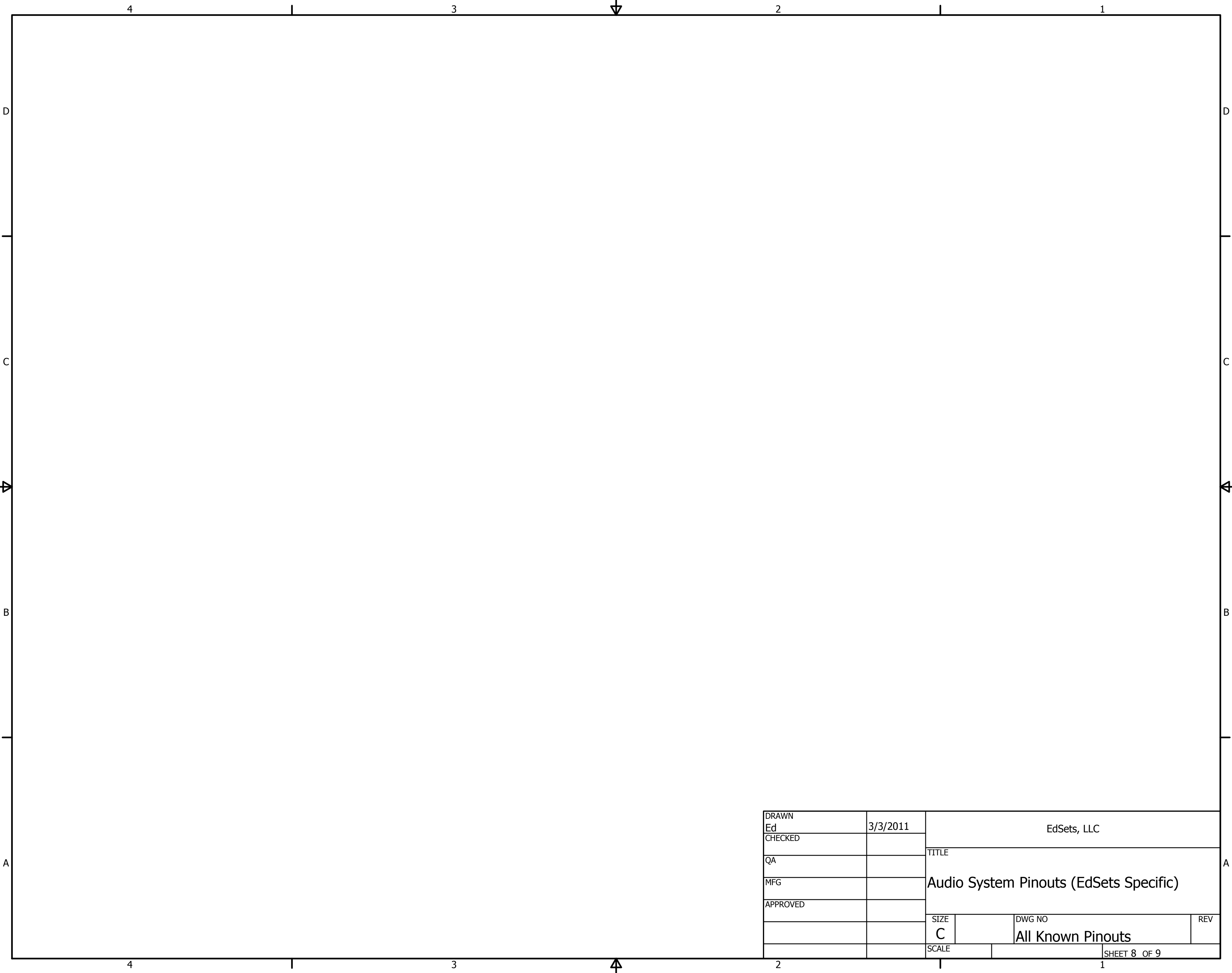
All EdSets lower coiled cables share the same upper connector, regardless if the lower connector has 5,6, or 7 connectors for various factory systems. As of June 2012, there is only 1 lower cable that does not have a built-in preamplifier for the microphone, and this single cable is the 5-Pin lower coiled cable (product code '3GCC') for 5-Pin systems like the Honda Goldwing, older Kawasaki and Suzuki 5-pin systems, and current Yamaha Venture 5-pin systems only. All other cables for BMW/J&M, CanAm, Victory, Harley Davidson, and newer Kawasaki Voyager 1700 bikes all have varied 6 or 7-pin connectors all with pre-amplifiers for the system microphone built into the lower cable at the circular connector where it connects to the bike. Outside the older Harley that had a 5-pin connector, and now uses a 7-Pin connector since late 90's, the mic pre-amplifier is generally built into the bike (Goldwing, etc) and on all other bikes and systems, the pre-amplifier is offloaded to the headset or external cables, which is what the EdSets 'Power Cable' line is implementing.

This connector is a female 6-PIN MINI DIN, which is a standard connector, but with a an overmold that is non-standard. The illustrated 6-PIN MINI DIN pin diagram also applies to the upper cable standard on EdSets 3G Module, meaning that looking into the female jack, the pin arrangement is the same.

DRAWN	Ed	3/3/2011	EdSets, LLC		
CHECKED			TITLE		
QA			Audio System Pinouts (EdSets Specific)		
MFG			SIZE	DWG NO	REV
APPROVED			C	All Known Pinouts	
			SCALE	SHEET 6 OF 9	

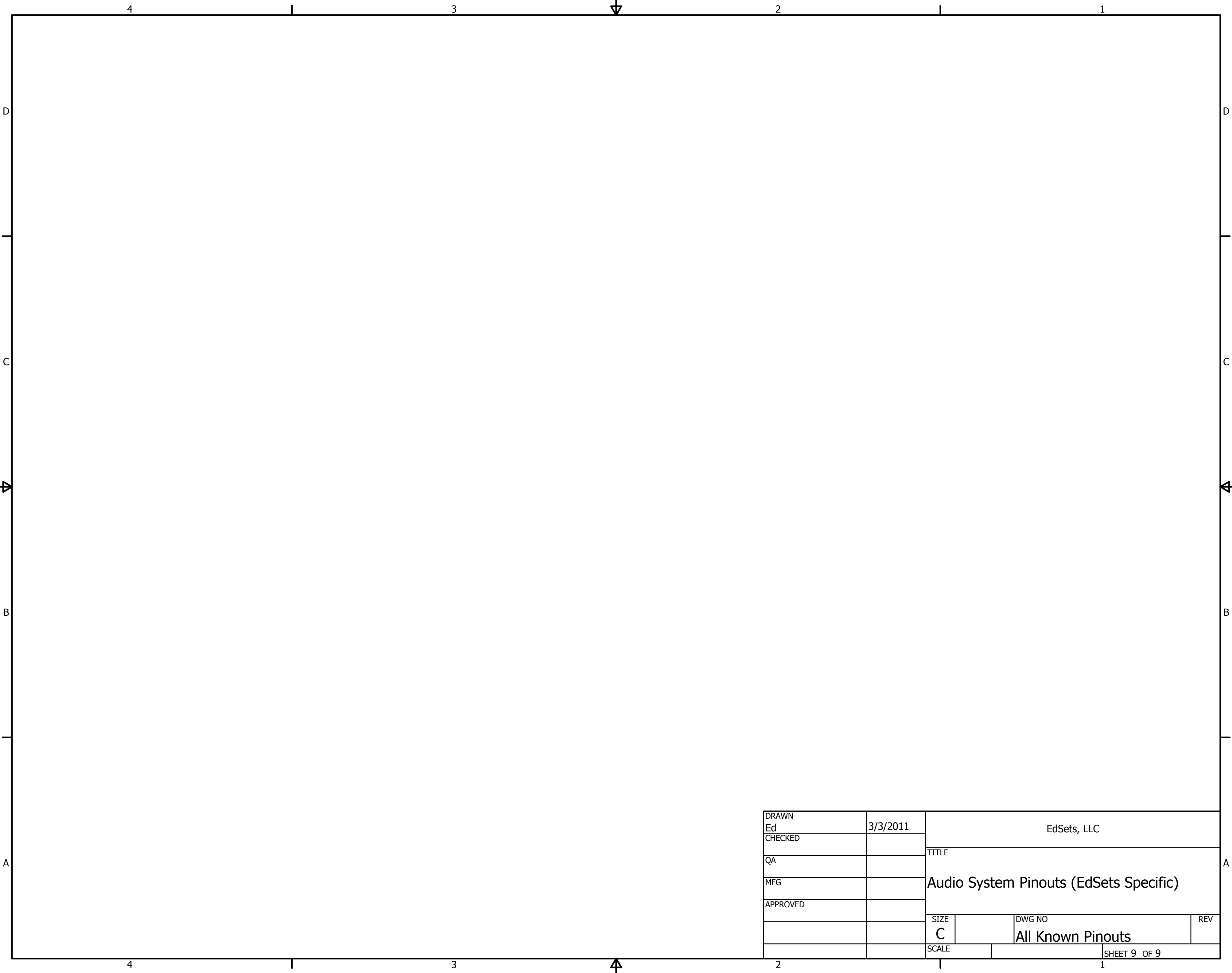


DRAWN	Ed	3/3/2011	EdSets, LLC		
CHECKED			TITLE		
QA			Audio System Pinouts (EdSets Specific)		
MFG			SIZE	DWG NO	REV
APPROVED			C	All Known Pinouts	
			SCALE	SHEET 7 OF 9	



DRAWN	Ed	3/3/2011	EdSets, LLC		
CHECKED			TITLE		
QA			Audio System Pinouts (EdSets Specific)		
MFG			SIZE	DWG NO	REV
APPROVED			C	All Known Pinouts	
			SCALE	SHEET 8 OF 9	





DRAWN	Ed	3/3/2011	EdSets, LLC		
CHECKED			TITLE		
QA			Audio System Pinouts (EdSets Specific)		
MFG			SIZE	DWG NO	REV
APPROVED			C	All Known Pinouts	
			SCALE	SHEET 9 OF 9	